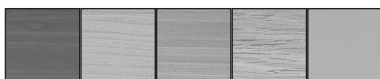


Catalogue pages 56 to 65

Guarantee and shade card

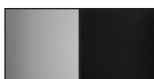


5 choices of finish for HPC 2 desktops



Amber cherry RA
Salmon pear RB
Golden beech RC
Light oak RD
Pearl grey RG
From stock

2 choices of finish for structure



Aluminium SA
Graphite grey SC
From stock



Product description

Tops

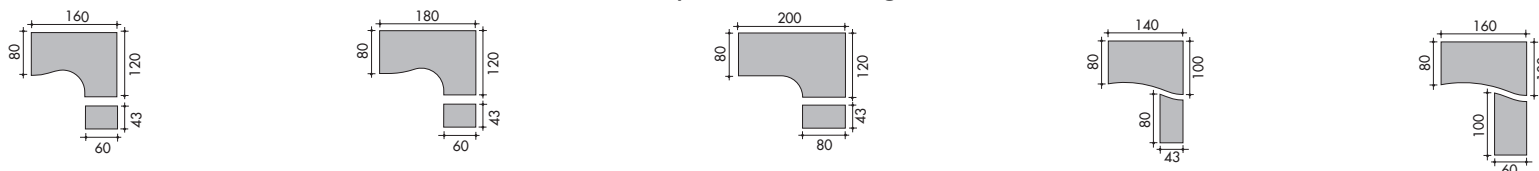
- 25 mm thick particle board, density 650 kg/m³;
- Wood "ecologically certified" by the PEFC and FSC, in recognition that all or a proportion of the timber used is sourced from sustainably managed forest. Our tops are made from material certified to FSC-STD-40-004 (vers.01);
- Particle board certified to E1 (control of formaldehyde emissions) with an emission level of 6.5 mg HCNO/100 mg and compliant with standards EN 120/92 and NF EN 717-2;
- Board is covered with a sheet of decorative monochrome or wood effect paper. During the High Resistance Melamine process, this paper is impregnated with a duroplastic resin to provide maximum protection, an industrial process which ensures that the furniture achieves outstanding results in terms of resistance to scratching and abrasion, thereby meeting the EN438 standard. An additional sheet of paper applied to the underside of tops to provide balance is also impregnated with duroplastic resin;
- Edges protected by a 2 mm thick strip of ABS (Acrylonitrile Butadiene Styrene), which is glued to the board and rounded at the top and bottom for maximum user comfort;
- Desktop fire safety classification: in accordance with the FD - P92-057 standard, particle board greater or equal to 18 mm in thickness is classified as M3 (combustible, moderately flammable);
- Maintenance advice: use soapy water and avoid products which contain solvents.

Structure

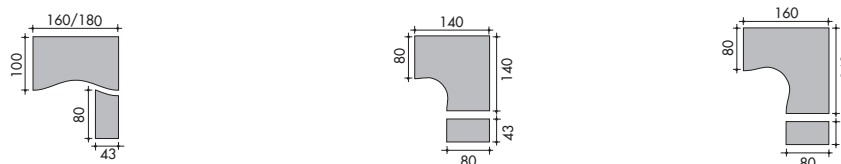
- 2 choices of leg design:
 - "I" shaped base;
 - "L" shaped base;
- Bases are moulded from cast aluminium and attached by screws to folded sheet steel uprights, thickness 20/10, complete with removable clip-on panels, width 19 mm, of curved design. Pressed sheet steel top plates, thickness 20/10, are attached by screws to the uprights;
- Structure :
 - 20 mm thick melamine-faced modesty panel, H 250 mm. Total height beneath desktop: 290 mm;
 - telescopic, open-sided beam made from folded 15/10 steel, height: 70 mm;
- Standard legs, fixed height 72 cm, or height-adjustable legs, adjustable from 62 to 86 cm, with integral height gauge;
- Cable management:
 - vertical: within the legs behind the removable panel. Cable port, ø 54 mm, at the bottom end;
 - horizontal: via the telescopic, open-sided beam.

The Range

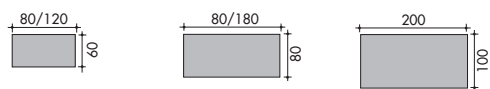
Asymmetrical desking



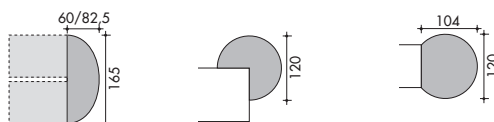
Symmetrical desking



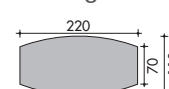
Standard desks





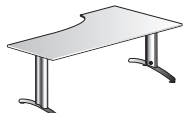
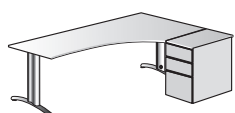





Extension units



Meeting tables




description	code		price ex. VAT
	left-hand return	right-hand return	
90° asymmetrical desk - 160 x 120 cm			
Free-standing desk. Optional extras: ④ ⑦ ⑨ ⑪ ⑫ ⑬ ⑭ ⑮ ⑯			
	Standard "I" shaped legs + telescopic beam	1 494 513 + top fin. + struc. fin.	1 494 465 + top fin. + struc. fin. £ 374
	Standard "L" shaped legs + telescopic beam	1 494 525 + top fin. + struc. fin.	1 494 477 + top fin. + struc. fin. £ 374
	Standard "L" shaped legs + modesty panel	1 494 527 + top fin. + struc. fin.	1 494 479 + top fin. + struc. fin. £ 374
	Adjustable "I" shaped legs + telescopic beam	1 494 537 + top fin. + struc. fin.	1 494 489 + top fin. + struc. fin. £ 523
Desk plus 3 drawer (2 box drawers + 1 filing drawer) metal desk height pedestal, D. 60 cm. Optional extras: ④ ⑦ ⑧ ⑨ ⑩ ⑪ ⑫ ⑬ ⑭ ⑮ ⑯			
	Standard "I" shaped legs + telescopic beam	1 494 514 + top fin. + struc. fin.	1 494 466 + top fin. + struc. fin. £ 685
	Standard "L" shaped legs + telescopic beam	1 494 526 + top fin. + struc. fin.	1 494 478 + top fin. + struc. fin. £ 685
	Standard "L" shaped legs + modesty panel	1 494 528 + top fin. + struc. fin.	1 494 480 + top fin. + struc. fin. £ 685
	Adjustable "I" shaped legs + telescopic beam	1 494 538 + top fin. + struc. fin.	1 494 490 + top fin. + struc. fin. £ 822
90° asymmetrical desk - 180 x 120 cm			
Free-standing desk. Optional extras: ⑤ ⑦ ⑨ ⑪ ⑫ ⑬ ⑮ ⑯			
	Standard "I" shaped legs + telescopic beam	1 494 517 + top fin. + struc. fin.	1 494 469 + top fin. + struc. fin. £ 398
	Standard "L" shaped legs + telescopic beam	1 494 529 + top fin. + struc. fin.	1 494 481 + top fin. + struc. fin. £ 398
	Standard "L" shaped legs + modesty panel	1 494 531 + top fin. + struc. fin.	1 494 483 + top fin. + struc. fin. £ 398
	Adjustable "I" shaped legs + telescopic beam	1 494 541 + top fin. + struc. fin.	1 494 493 + top fin. + struc. fin. £ 548
Desk plus 3 drawer (2 box drawers + 1 filing drawer) metal desk height pedestal, D. 60 cm. Optional extras: ⑤ ⑧ ⑨ ⑩ ⑪ ⑫ ⑬ ⑮ ⑯			
	Standard "I" shaped legs + telescopic beam	1 494 518 + top fin. + struc. fin.	1 494 470 + top fin. + struc. fin. £ 710
	Standard "L" shaped legs + telescopic beam	1 494 530 + top fin. + struc. fin.	1 494 482 + top fin. + struc. fin. £ 710
	Standard "L" shaped legs + modesty panel	1 494 532 + top fin. + struc. fin.	1 494 484 + top fin. + struc. fin. £ 710
	Adjustable "I" shaped legs + telescopic beam	1 494 542 + top fin. + struc. fin.	1 494 494 + top fin. + struc. fin. £ 847
90° asymmetrical desk - 200 x 120 cm			
Free-standing desk. Optional extras: ⑥ ⑦ ⑨ ⑪ ⑫ ⑬ ⑮ ⑯			
	Standard "I" shaped legs + telescopic beam	1 494 521 + top fin. + struc. fin.	1 494 473 + top fin. + struc. fin. £ 423
	Standard "L" shaped legs + telescopic beam	1 494 533 + top fin. + struc. fin.	1 494 485 + top fin. + struc. fin. £ 423
	Adjustable "I" shaped legs + telescopic beam	1 494 545 + top fin. + struc. fin.	1 494 497 + top fin. + struc. fin. £ 560
Desk plus 3 drawer (2 box drawers + 1 filing drawer) metal desk height pedestal, D. 80 cm. Optional extras: ⑥ ⑧ ⑨ ⑩ ⑪ ⑫ ⑬ ⑮ ⑯			
	Standard "I" shaped legs + telescopic beam	1 494 522 + top fin. + struc. fin.	1 494 474 + top fin. + struc. fin. £ 768
	Standard "L" shaped legs + telescopic beam	1 494 534 + top fin. + struc. fin.	1 494 486 + top fin. + struc. fin. £ 768
	Adjustable "I" shaped legs + telescopic beam	1 494 546 + top fin. + struc. fin.	1 494 498 + top fin. + struc. fin. £ 905
Asymmetrical wave desk - 140 x 100 cm			
Free-standing desk. Optional extras: ③ ⑦ ⑨ ⑪ ⑬ ⑮ ⑯			
	Standard "I" shaped legs + telescopic beam	1 494 401 + top fin. + struc. fin.	1 494 385 + top fin. + struc. fin. £ 320
	Standard "L" shaped legs + telescopic beam	1 494 405 + top fin. + struc. fin.	1 494 389 + top fin. + struc. fin. £ 320
	Standard "L" shaped legs + modesty panel	1 494 406 + top fin. + struc. fin.	1 494 390 + top fin. + struc. fin. £ 320
	Adjustable "I" shaped legs + telescopic beam	1 494 409 + top fin. + struc. fin.	1 494 393 + top fin. + struc. fin. £ 398
Asymmetrical wave desk - 160 x 100 cm			
Free-standing desk. Optional extras: ④ ⑦ ⑨ ⑪ ⑫ ⑬ ⑭ ⑮ ⑯			
	Standard "I" shaped legs + telescopic beam	1 494 403 + top fin. + struc. fin.	1 494 387 + top fin. + struc. fin. £ 336
	Standard "L" shaped legs + telescopic beam	1 494 407 + top fin. + struc. fin.	1 494 391 + top fin. + struc. fin. £ 336
	Standard "L" shaped legs + modesty panel	1 494 408 + top fin. + struc. fin.	1 494 392 + top fin. + struc. fin. £ 336
	Adjustable "I" shaped legs + telescopic beam	1 494 411 + top fin. + struc. fin.	1 494 395 + top fin. + struc. fin. £ 415

	description	code	price ex. VAT
Symmetrical wave desk - 160 x 100 cm			
Free-standing desk. Optional extras: ④ ⑦ ⑨ ⑪ ⑫ ⑬ ⑭ ⑮ ⑯			
	Standard "I" shaped legs + telescopic beam	1 494 417 + top fin. + struc. fin.	£ 336
	Standard "L" shaped legs + telescopic beam	1 494 421 + top fin. + struc. fin.	£ 336
	Standard "L" shaped legs + modesty panel	1 494 422 + top fin. + struc. fin.	£ 336
	Adjustable "I" shaped legs + telescopic beam	1 494 425 + top fin. + struc. fin.	£ 415

Symmetrical wave desk - 180 x 100 cm

Free-standing desk. Optional extras: ⑤ ⑦ ⑨ ⑪ ⑫ ⑬ ⑮ ⑯

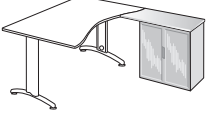
	Standard "I" shaped legs + telescopic beam	1 494 419 + top fin. + struc. fin.	£ 353
	Standard "L" shaped legs + telescopic beam	1 494 423 + top fin. + struc. fin.	£ 353
	Standard "L" shaped legs + modesty panel	1 494 424 + top fin. + struc. fin.	£ 353
	Adjustable "I" shaped legs + telescopic beam	1 494 427 + top fin. + struc. fin.	£ 432

Wave returns for symmetrical and asymmetrical wave desks


W. 80 x 43 cm, on integra pedestal, width 60 cm. Optional extras: ⑧

		left-hand return	right-hand return	
	Aluminium shell	1 494 149 + top fin. + SA	1 494 145 + top fin. + SA	£ 552
	Graphite grey shell	1 494 149 + top fin. + SC	1 494 145 + top fin. + SC	£ 552

W. 80 x 43 cm, on tambour cupboard, width 80 cm. Optional extras: ⑧


	Aluminium shell	1 494 133 + top fin. + SA	1 494 129 + top fin. + SA	£ 515
	Graphite grey shell	1 494 133 + top fin. + SC	1 494 129 + top fin. + SC	£ 515

W. 100 x 60 cm, on desk height pedestal, depth 60 cm. For wave desks 160 and 180 cm in width only. Optional extras: ⑧


	Aluminium shell	1 494 144 + top fin. + SA	1 494 140 + top fin. + SA	£ 411
	Graphite grey shell	1 494 144 + top fin. + SC	1 494 140 + top fin. + SC	£ 411


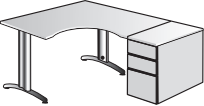







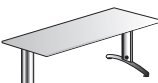
90° symmetrical desk - 140 x 140 x 80 cm








Free-standing desk. Optional extras: ③ ⑦ ⑨ ⑪ ⑫ ⑬ ⑮ ⑯

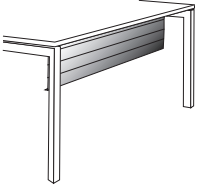
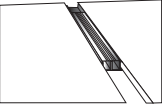
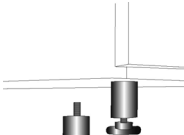
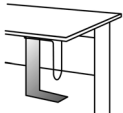
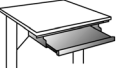

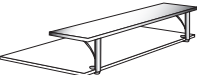
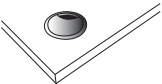
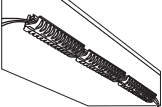
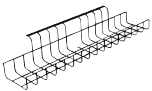
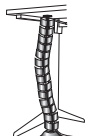

	Standard "I" shaped legs + telescopic beam	1 494 433 + top fin. + struc. fin.	£ 490
	Standard "L" shaped legs + telescopic beam	1 494 441 + top fin. + struc. fin.	£ 490
	Standard "L" shaped legs + modesty panel	1 494 443 + top fin. + struc. fin.	£ 490
	Adjustable "I" shaped legs + telescopic beam	1 494 449 + top fin. + struc. fin.	£ 606

Desk plus 3 drawer (2 box drawers + 1 filing drawer) metal desk height pedestal, D. 80 cm. Optional extras: ③ ⑦ ⑧ ⑨ ⑩ ⑪ ⑫ ⑬ ⑮ ⑯

	Standard "I" shaped legs + telescopic beam	1 494 434 + top fin. + struc. fin.	£ 793
	Standard "L" shaped legs + telescopic beam	1 494 442 + top fin. + struc. fin.	£ 793
	Standard "L" shaped legs + modesty panel	1 494 444 + top fin. + struc. fin.	£ 793
	Adjustable "I" shaped legs + telescopic beam	1 494 450 + top fin. + struc. fin.	£ 901

description	code	price ex. VAT
90° symmetrical desk - 160 x 160 x 80 cm		
Free-standing desk. Optional extras: ④ ⑦ ⑨ ⑪ ⑫ ⑬ ⑭ ⑮ ⑯		
	Standard "I" shaped legs + telescopic beam	1 494 437 + top fin. + struc. fin. £ 564
	Standard "L" shaped legs + telescopic beam	1 494 445 + top fin. + struc. fin. £ 564
	Standard "L" shaped legs + modesty panel	1 494 447 + top fin. + struc. fin. £ 564
	Adjustable "I" shaped legs + telescopic beam	1 494 453 + top fin. + struc. fin. £ 672
Desk plus 3 drawer (2 box drawers + 1 filing drawer) metal desk height pedestal, D. 80 cm. Optional extras: ④ ⑧ ⑨ ⑩ ⑪ ⑫ ⑬ ⑭ ⑮		
	Standard "I" shaped legs + telescopic beam	1 494 438 + top fin. + struc. fin. £ 851
	Standard "L" shaped legs + telescopic beam	1 494 446 + top fin. + struc. fin. £ 851
	Standard "L" shaped legs + modesty panel	1 494 448 + top fin. + struc. fin. £ 851
	Adjustable "I" shaped legs + telescopic beam	1 494 454 + top fin. + struc. fin. £ 959
Standard desks		
Returns, depth 60 cm. Optional extras: ① ② ⑩ ⑫ ⑬ ⑭ ⑮ ⑯		
W. 80 cm		
	Standard "I" shaped legs + telescopic beam	1 494 208 + top fin. + struc. fin. £ 228
	Adjustable "I" shaped legs + telescopic beam	1 494 291 + top fin. + struc. fin. £ 299
W. 120 cm		
	Standard "I" shaped legs + telescopic beam	1 494 214 + top fin. + struc. fin. £ 253
	Adjustable "I" shaped legs + telescopic beam	1 494 297 + top fin. + struc. fin. £ 320
Desks, depth 80 cm. Optional extras: ① ② ③ ④ ⑤ ⑥ ⑦ ⑨ ⑪ ⑫ ⑬ ⑭ ⑮ ⑯		
W. 80 cm		
	Standard "I" shaped legs + telescopic beam	1 494 210 + top fin. + struc. fin. £ 232
	Standard "L" shaped legs + telescopic beam	1 494 257 + top fin. + struc. fin. £ 232
	Standard "L" shaped legs + modesty panel	1 494 258 + top fin. + struc. fin. £ 232
	Adjustable "I" shaped legs + telescopic beam	1 494 293 + top fin. + struc. fin. £ 303
W. 120 cm		
	Standard "I" shaped legs + telescopic beam	1 494 216 + top fin. + struc. fin. £ 261
	Standard "L" shaped legs + telescopic beam	1 494 263 + top fin. + struc. fin. £ 261
	Standard "L" shaped legs + modesty panel	1 494 264 + top fin. + struc. fin. £ 261
	Adjustable "I" shaped legs + telescopic beam	1 494 299 + top fin. + struc. fin. £ 328
W. 140 cm		
	Standard "I" shaped legs + telescopic beam	1 494 222 + top fin. + struc. fin. £ 278
	Standard "L" shaped legs + telescopic beam	1 494 269 + top fin. + struc. fin. £ 278
	Standard "L" shaped legs + modesty panel	1 494 270 + top fin. + struc. fin. £ 278
	Adjustable "I" shaped legs + telescopic beam	1 494 305 + top fin. + struc. fin. £ 344
W. 160 cm		
	Standard "I" shaped legs + telescopic beam	1 494 239 + top fin. + struc. fin. £ 299
	Standard "L" shaped legs + telescopic beam	1 494 275 + top fin. + struc. fin. £ 299
	Standard "L" shaped legs + modesty panel	1 494 276 + top fin. + struc. fin. £ 299
	Adjustable "I" shaped legs + telescopic beam	1 494 311 + top fin. + struc. fin. £ 361
W. 180 cm		
	Standard "I" shaped legs + telescopic beam	1 494 245 + top fin. + struc. fin. £ 320
	Standard "L" shaped legs + telescopic beam	1 494 281 + top fin. + struc. fin. £ 320
	Standard "L" shaped legs + modesty panel	1 494 282 + top fin. + struc. fin. £ 320
	Adjustable "I" shaped legs + telescopic beam	1 494 317 + top fin. + struc. fin. £ 390
Desk, W. 200 x D. 100 cm. Optional extras: ⑥ ⑦ ⑨ ⑪ ⑫ ⑬ ⑮ ⑯		
	Standard "I" shaped legs + telescopic beam	1 494 253 + top fin. + struc. fin. £ 361
	Standard "L" shaped legs + telescopic beam	1 494 289 + top fin. + struc. fin. £ 361

description	code	price ex. VAT
90° link unit - two 80 cm sides		
Curved 90° link unit. Optional extras: ① ⑤		
	1 494 175 + top finish	£ 116
Extension units - Meeting tables		
3/4 circular extension unit		
	2 standard legs	1 494 365 + top fin. + struc. fin. £ 170
	2 adjustable legs	1 494 366 + top fin. + struc. fin. £ 195
Circular extension unit		
	2 standard legs	1 494 363 + top fin. + struc. fin. £ 162
	2 adjustable legs	1 494 364 + top fin. + struc. fin. £ 187
1/2 moon extension units, W. 165 cm		
	Depth 60 cm	
	1 standard leg	1 494 153 + top fin. + struc. fin. £ 141
	1 adjustable leg	1 494 154 + top fin. + struc. fin. £ 162
	Depth 82.5 cm	
	2 standard legs	1 494 155 + top fin. + struc. fin. £ 162
	2 adjustable legs	1 494 156 + top fin. + struc. fin. £ 220
4 leg circular tables		
	∅ 100 cm. Standard legs	1 494 374 + top fin. + struc. fin. £ 203
	∅ 120 cm. Standard legs	1 494 376 + top fin. + struc. fin. £ 228
Barrel table, 220 x 110 cm		
	Standard legs	1 494 371 + top fin. + struc. fin. £ 403
Metal mobile pedestals		
Metal pedestals in an aluminium (SA) or graphite grey (SC) finish. Pen tray in the top drawer. Optional extras: ⑦		
	1 box drawer + 1 filing drawer	1 494 157 + fin. £ 216
	3 box drawers	1 494 158 + fin. £ 216

description	code	price ex. VAT
Optional extras		
Grooved metallic modesty panels in an aluminium (SA) or graphite grey (SC) finish. For attachment to the underside of the desktop.		
	① for desk W. 80 cm and 90° link unit ② for desk W. 120 cm ③ for desk W. 140 cm ④ for desk W. 160 cm ⑤ for desk W. 180 cm ⑥ for desk W. 200 cm	1 494 379 + fin. £ 42 1 494 380 + fin. £ 46 1 494 381 + fin. £ 50 1 494 382 + fin. £ 54 1 494 383 + fin. £ 58 1 494 384 + fin. £ 62
	⑦ Modular cable holders For desks with straight edges only. Designed to fit between 2 or more face-to-face desks. Made from graphite grey PVC, cable holders come in sections 40 cm in length and can be added to or cut to size as required. The 2 compartments are accessed by simply removing the upper cover.	Sold in sets of 2: 6 478 004 OK £ 14
	⑧ Set of 8 spacers. Designed to raise the height of desk height pedestals, integra pedestals and tambour cupboards 80 cm in width by 20 or 40 mm.	1 603 004 £ 41
	⑨ Suspended CPU holder. For screw attachment to the underside of the desktop. Adjustable in height and width to ensure that the CPU is held firmly in place. Aluminium (SA) finish.	6 443 001 SA £ 95
	⑩ Keyboard shelf. W x D cm: 58.5 x 33.5. Adjustable in height from 7 to 10.5 cm. Aluminium (SA) finish.	6 505 001 SA £ 131
	⑪ Flat screen monitor arm. Adjustable in height from 5.5 to 37.5 cm. 3 point articulation. Clamp attachment to the desktop. Aluminium (SB) finish. Other models are available, see p. 74 to 76.	6 445 032 SB £ 237
	⑫ Desktop shelves. Depth: 35 cm. Usable height: 21 cm. Brackets in an aluminium (SA) finish, shelves in RA, RB, RC or RD.	W. 80 cm 1 494 562 + shelf finish + bracket finish £ 137 W. 120 cm 1 494 563 + shelf finish + bracket finish £ 149 W. 160 cm 1 494 564 + shelf finish + bracket finish £ 162
	⑬ Cable port, ø 80 mm, for desktops. Aluminium (Oi) finish. Price of installation package on request.	6 478 009 OI £ 4
	⑭ Horizontal cable management. In the form of 3 dual compartment articulated plastic cable troughs. Aluminium (Oi) finish.	6 478 002 OI £ 37
	⑮ Horizontal cable management. In the form of a wire basket, W. 49 x D. 10 x H. 5 cm. Attached by wood screws to the underside of the desktop. Aluminium (SB) finish.	6 478 073 SB £ 29
	⑯ Vertical cable management. In the form of a dual channel articulated vertebral cable holder. Made from plastic, ø 6.4 cm, in an aluminium (Oi) or white (OG) finish.	6 478 001 + fin. £ 44
	⑰ Decorative tops for metal mobile pedestals, D. 52.5 cm. 5 choices of finish: RA, RB, RC, RD or RG.	1 494 561 + finish £ 32