

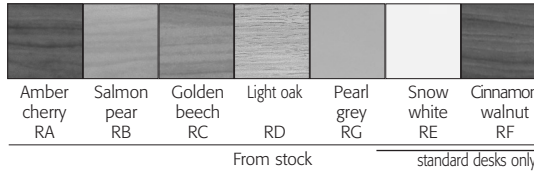
Catalogue pages 46 to 55

## Guarantee, standards and shade card

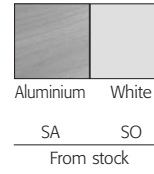


For height-adjustable desks

7 choices of finish for HPC 2 desktops



2 choices of finish for structure



## Product description

### Tops

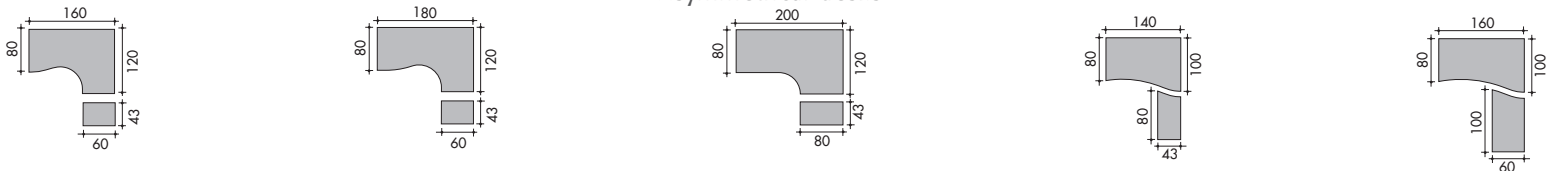
- 25 mm thick particle board, density 650 kg/m<sup>3</sup>;
- Wood "ecologically certified" by the PEFC and FSC, in recognition that all or a proportion of the timber used is sourced from sustainably managed forest. Our tops are made from material certified to FSC-STD-40-004 (vers.01);
- Particle board certified to E1 (control of formaldehyde emissions) with an emission level of 6.5 mg HCNO/100 mg and compliant with standards EN 120/92 and NF EN 717-2;
- Board is covered with a sheet of decorative monochrome or wood effect paper. During the High Resistance Melamine process, this paper is impregnated with a duroplastic resin to provide maximum protection, an industrial process which ensures that the furniture achieves outstanding results in terms of resistance to scratching and abrasion, thereby meeting the EN438 standard. An additional sheet of paper applied to the underside of tops to provide balance is also impregnated with duroplastic resin;
- Edges protected by a 2 mm thick strip of ABS (Acrylonitrile Butadiene Styrene), which is glued to the board and rounded at the top and bottom for maximum user comfort;
- Desktop fire safety classification: in accordance with the FD - P92-057 standard, particle board greater or equal to 18 mm in thickness is classified as M3 (combustible, moderately flammable);
- Maintenance advice: use soapy water and avoid products which contain solvents.

### Structure

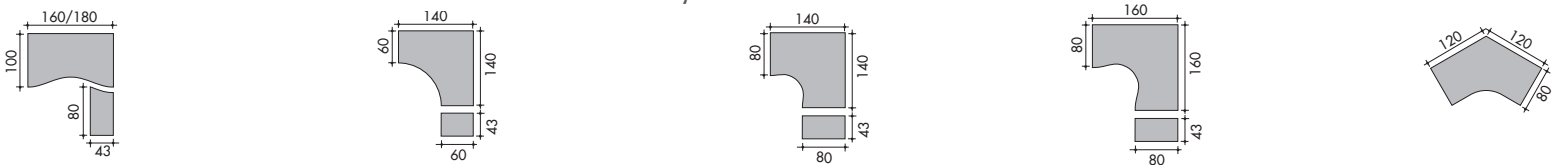
- 2 choices of leg design:
  - "I" shaped base;
  - "L" shaped base;
- Construction: Bases are punch folded over specially designed conical matrices. Ends are formed using a drawing tool, and are then welded, ground and sanded. Bases are assembled around a tubular bracket, ø 70 mm, by a process of MIG welding on the inside and TIG welding on the outside;
- Structure: desktops are held firm by a tubular beam, cross-section 50 x 30 mm, 80 to 200 mm in length. This is slotted into a beam housing welded on to the bracket - no tools are required;
- Standard legs, fixed height 72 cm, or height-adjustable legs, adjustable from 62 to 86 cm;
- Cable management:
  - optional vertical cable management in the form of a dual channel articulated vertebral cable holder, ø 6.4 mm;
  - optional horizontal cable management in the form of 3 dual channel articulated plastic cable troughs or in the form of a wire basket, width 600 mm, depth 12 mm;
- quality labels: designed and manufactured in compliance with the requirements of NF environmental standards and standard NEN 2449 (for height-adjustable desks).

## The Range

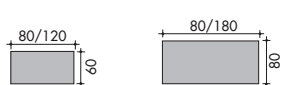
### Asymmetrical desks



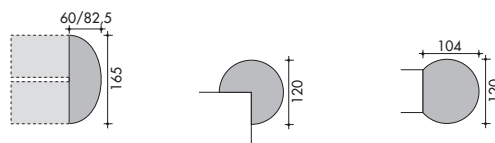
### Symmetrical desks



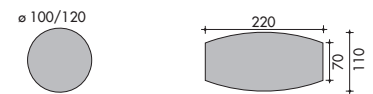
### Standard desks





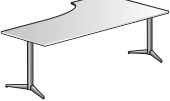
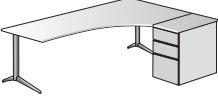




### Extension units



### Meeting tables



description	code	price ex. VAT
<b>90° asymmetrical desk - 160 x 120 cm</b> Free-standing desk. Optional extras: ④ ⑨ ⑪ ⑫ ⑬ ⑭ ⑮ ⑯ ⑰ ⑱	left-hand return      right-hand return	
	Standard legs - T-vorm shaped Standard legs - "L" shaped Adjustable legs - T-vorm shaped Adjustable legs - "L" shaped	1 481 336 + top fin. + structure fin.    1 481 312 + top fin. + structure fin.    £ 427 1 481 342 + top fin. + structure fin.    1 481 318 + top fin. + structure fin.    £ 427 1 481 348 + top fin. + structure fin.    1 481 324 + top fin. + structure fin.    £ 490 1 481 354 + top fin. + structure fin.    1 481 330 + top fin. + structure fin.    £ 490
Desk plus 3 drawer (2 box drawers + 1 filing drawer) metal desk height pedestal, D. 60 cm. Optional extras: ④ ⑧ ⑨ ⑩ ⑪ ⑫ ⑬ ⑭ ⑮ ⑯ ⑰ ⑱		
	Standard legs - T-vorm shaped Standard legs - "L" shaped Adjustable legs - T-vorm shaped Adjustable legs - "L" shaped	1 481 337 + top fin. + structure fin.    1 481 313 + top fin. + structure fin.    £ 739 1 481 343 + top fin. + structure fin.    1 481 319 + top fin. + structure fin.    £ 739 1 481 349 + top fin. + structure fin.    1 481 325 + top fin. + structure fin.    £ 822 1 481 355 + top fin. + structure fin.    1 481 331 + top fin. + structure fin.    £ 822
<b>90° asymmetrical desk - 180 x 120 cm</b> Free-standing desk. Optional extras: ⑤ ⑨ ⑪ ⑫ ⑬ ⑮ ⑯ ⑰ ⑱		
	Standard legs - T-vorm shaped Standard legs - "L" shaped Adjustable legs - "I" shaped Adjustable legs - "L" shaped	1 481 338 + top fin. + structure fin.    1 481 314 + top fin. + structure fin.    £ 452 1 481 344 + top fin. + structure fin.    1 481 320 + top fin. + structure fin.    £ 452 1 481 350 + top fin. + structure fin.    1 481 326 + top fin. + structure fin.    £ 515 1 481 356 + top fin. + structure fin.    1 481 332 + top fin. + structure fin.    £ 515
Desk plus 3 drawer (2 box drawers + 1 filing drawer) metal desk height pedestal, D. 60 cm. Optional extras: ⑤ ⑨ ⑩ ⑪ ⑫ ⑬ ⑮ ⑯ ⑰ ⑱		
	Standard legs - "I" shaped Standard legs - "L" shaped Adjustable legs - "I" shaped Adjustable legs - "L" shaped	1 481 339 + top fin. + structure fin.    1 481 315 + top fin. + structure fin.    £ 764 1 481 345 + top fin. + structure fin.    1 481 321 + top fin. + structure fin.    £ 764 1 481 351 + top fin. + structure fin.    1 481 327 + top fin. + structure fin.    £ 847 1 481 357 + top fin. + structure fin.    1 481 333 + top fin. + structure fin.    £ 847
<b>90° asymmetrical desk - 200 x 120 cm</b> Free-standing desk. Optional extras: ⑥ ⑨ ⑪ ⑫ ⑬ ⑮ ⑯ ⑰ ⑱		
	Standard legs - "I" shaped Standard legs - "L" shaped Adjustable legs - "I" shaped Adjustable legs - "L" shaped	1 481 340 + top fin. + structure fin.    1 481 316 + top fin. + structure fin.    £ 477 1 481 346 + top fin. + structure fin.    1 481 322 + top fin. + structure fin.    £ 477 1 481 352 + top fin. + structure fin.    1 481 328 + top fin. + structure fin.    £ 552 1 481 358 + top fin. + structure fin.    1 481 334 + top fin. + structure fin.    £ 552
Desk plus 3 drawer (2 box drawers + 1 filing drawer) metal desk height pedestal, D. 80 cm. Optional extras: ⑥ ⑨ ⑩ ⑪ ⑫ ⑬ ⑮ ⑯ ⑰ ⑱		
	Standard legs - "I" shaped Standard legs - "L" shaped Adjustable legs - "I" shaped Adjustable legs - "L" shaped	1 481 341 + top fin. + structure fin.    1 481 317 + top fin. + structure fin.    £ 822 1 481 347 + top fin. + structure fin.    1 481 323 + top fin. + structure fin.    £ 822 1 481 353 + top fin. + structure fin.    1 481 329 + top fin. + structure fin.    £ 905 1 481 359 + top fin. + structure fin.    1 481 335 + top fin. + structure fin.    £ 905
<b>Asymmetrical wave desk - 140 x 100 cm</b> Free-standing desk. Optional extras: ③ ⑨ ⑪ ⑬ ⑮ ⑯ ⑰ ⑱		
	Standard legs - "I" shaped Standard legs - "L" shaped Adjustable legs - "I" shaped Adjustable legs - "L" shaped	1 481 471 + top fin. + structure fin.    1 481 463 + top fin. + structure fin.    £ 365 1 481 473 + top fin. + structure fin.    1 481 465 + top fin. + structure fin.    £ 365 1 481 475 + top fin. + structure fin.    1 481 467 + top fin. + structure fin.    £ 407 1 481 477 + top fin. + structure fin.    1 481 469 + top fin. + structure fin.    £ 407
<b>Asymmetrical wave desk - 160 x 100 cm</b> Free-standing desk. Optional extras: ④ ⑨ ⑪ ⑫ ⑬ ⑭ ⑮ ⑯ ⑰ ⑱		
	Standard legs - "I" shaped Standard legs - "L" shaped Adjustable legs - "I" shaped Adjustable legs - "L" shaped	1 481 472 + top fin. + structure fin.    1 481 464 + top fin. + structure fin.    £ 382 1 481 474 + top fin. + structure fin.    1 481 466 + top fin. + structure fin.    £ 382 1 481 476 + top fin. + structure fin.    1 481 468 + top fin. + structure fin.    £ 427 1 481 478 + top fin. + structure fin.    1 481 470 + top fin. + structure fin.    £ 427

description	code	price ex. VAT
-------------	------	---------------

### Symmetrical wave desk - 160 x 100 cm

Free-standing desk. Optional extras: ④ ⑨ ⑪ ⑫ ⑬ ⑭ ⑮ ⑯ ⑰ ⑱



Standard legs - "I" shaped	1 481 479 + top fin. + structure fin.	£ 382
Standard legs - "L" shaped	1 481 481 + top fin. + structure fin.	£ 382
Adjustable legs - "I" shaped	1 481 483 + top fin. + structure fin.	£ 427
Adjustable legs - "L" shaped	1 481 485 + top fin. + structure fin.	£ 427

### Symmetrical wave desk - 180 x 100 cm

Free-standing desk. Optional extras: ⑤ ⑨ ⑪ ⑫ ⑬ ⑮ ⑯ ⑰ ⑱



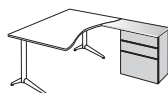
Standard legs - "I" shaped	1 481 480 + top fin. + structure fin.	£ 398
Standard legs - "L" shaped	1 481 482 + top fin. + structure fin.	£ 398
Adjustable legs - "I" shaped	1 481 484 + top fin. + structure fin.	£ 444
Adjustable legs - "L" shaped	1 481 486 + top fin. + structure fin.	£ 444

### Wave return for symmetrical and asymmetrical wave desks

left-hand return

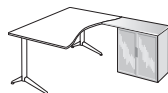
right-hand return

W. 80 x 43 cm, on integra pedestal, width 60 cm. Optional extras: ⑩ ⑭



Aluminium shell	1 481 093 + top fin. + structure fin.	1 481 089 + top fin. + structure fin.	£ 552
White shell	1 481 093 + top fin. + structure fin.	1 481 089 + top fin. + structure fin.	£ 552

W. 80 x 43 cm, on tambour cupboard, width 80 cm. Optional extras: ⑩ ⑭



Aluminium shell	1 481 077 + top fin. + structure fin.	1 481 073 + top fin. + structure fin.	£ 515
White shell	1 481 077 + top fin. + structure fin.	1 481 073 + top fin. + structure fin.	£ 515

W. 100 x 60 cm, on desk height pedestal, depth 60 cm. For wave desks 160 and 180 cm in width only. Optional extras: ⑩ ⑭



Aluminium shell	1 481 088 + top finish + SA	1 481 084 + top finish + SA	£ 411
White shell	1 481 088 + top finish + SO	1 481 084 + top finish + SO	£ 411

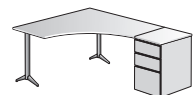
### 90° symmetrical desk - 140 x 140 x 60 cm

Free-standing desk. Optional extras: ③ ⑨ ⑪ ⑫ ⑬ ⑮ ⑯ ⑰ ⑱



Standard legs - "I" shaped	1 481 232 + top fin. + structure fin.	£ 556
Adjustable legs - "I" shaped	1 481 248 + top fin. + structure fin.	£ 631

Desk plus 3 drawer (2 box drawers + 1 filing drawer) metal desk height pedestal, D. 60 cm. Optional extras: ③ ⑨ ⑩ ⑪ ⑫ ⑬ ⑮ ⑯ ⑰ ⑱



Standard legs - "I" shaped	1 481 233 + top fin. + structure fin.	£ 789
Adjustable legs - "I" shaped	1 481 249 + top fin. + structure fin.	£ 855

### 90° symmetrical desk - 140 x 140 x 80 cm

Free-standing desk. Optional extras: ③ ⑨ ⑪ ⑫ ⑬ ⑮ ⑯ ⑰ ⑱


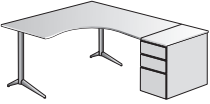











Standard legs - "I" shaped	1 481 234 + top fin. + structure fin.	£ 564
Standard legs - "L" shaped	1 481 242 + top fin. + structure fin.	£ 564
Adjustable legs - "I" shaped	1 481 250 + top fin. + structure fin.	£ 639
Adjustable legs - "L" shaped	1 481 258 + top fin. + structure fin.	£ 639

Desk plus 3 drawer (2 box drawers + 1 filing drawer) metal desk height pedestal, D. 80 cm. Optional extras: ③ ⑨ ⑩ ⑪ ⑫ ⑬ ⑮ ⑯ ⑰ ⑱



Standard legs - "I" shaped	1 481 235 + top fin. + structure fin.	£ 842
Standard legs - "L" shaped	1 481 243 + top fin. + structure fin.	£ 842
Adjustable legs - "I" shaped	1 481 251 + top fin. + structure fin.	£ 905
Adjustable legs - "L" shaped	1 481 259 + top fin. + structure fin.	£ 905

description	code	price ex. VAT
<b>90° symmetrical desk - 160 x 160 x 80 cm</b>		
Free-standing desk. Optional extras: ④ ⑨ ⑪ ⑫ ⑬ ⑭ ⑮ ⑯ ⑰ ⑱		
	Standard legs - "I" shaped	1 481 238 + top fin. + structure fin. £ 647
	Standard legs - "L" shaped	1 481 246 + top fin. + structure fin. £ 647
	Adjustable legs - "I" shaped	1 481 254 + top fin. + structure fin. £ 714
	Adjustable legs - "L" shaped	1 481 262 + top fin. + structure fin. £ 714
Desk plus 3 drawer (2 box drawers + 1 filing drawer) metal desk height pedestal, D. 80 cm. Optional extras: ④ ⑨ ⑩ ⑪ ⑫ ⑬ ⑭ ⑮ ⑱		
	Standard legs - "I" shaped	1 481 239 + top fin. + structure fin. £ 909
	Standard legs - "L" shaped	1 481 247 + top fin. + structure fin. £ 909
	Adjustable legs - "I" shaped	1 481 255 + top fin. + structure fin. £ 979
	Adjustable legs - "L" shaped	1 481 263 + top fin. + structure fin. £ 979
<b>120° symmetrical desk - 120 x 120 x 80 cm</b>		
Free-standing desk. Optional extras: ⑦ ⑨ ⑪ ⑬ ⑭ ⑮ ⑯ ⑰ ⑱		
	Standard legs - "L" shaped	1 481 227 + top fin. + structure fin. £ 548
<b>Standard desks</b>		
Returns, depth 60 cm. Optional extras: ① ② ⑪ ⑫ ⑬ ⑭ ⑮ ⑯ ⑰ ⑱		
W. 80 cm		
	Standard legs - "I" shaped	1 481 365 + top fin. + structure fin. £ 278
	Adjustable legs - "I" shaped	1 481 401 + top fin. + structure fin. £ 336
W. 120 cm		
	Standard legs - "I" shaped	1 481 368 + top fin. + structure fin. £ 303
	Adjustable legs - "I" shaped	1 481 404 + top fin. + structure fin. £ 365
Desks, depth 80 cm. Optional extras: ① ② ③ ④ ⑤ ⑥ ⑨ ⑪ ⑫ ⑬ ⑭ ⑮ ⑯ ⑰ ⑱		
W. 80 cm		
	Standard legs - "I" shaped	1 481 366 + top fin. + structure fin. £ 282
	Standard legs - "L" shaped	1 481 384 + top fin. + structure fin. £ 282
	Adjustable legs - "I" shaped	1 481 402 + top fin. + structure fin. £ 336
	Adjustable legs - "L" shaped	1 481 420 + top fin. + structure fin. £ 336
W. 120 cm		
	Standard legs - "I" shaped	1 481 369 + top fin. + structure fin. £ 311
	Standard legs - "L" shaped	1 481 387 + top fin. + structure fin. £ 311
	Adjustable legs - "I" shaped	1 481 405 + top fin. + structure fin. £ 365
	Adjustable legs - "L" shaped	1 481 423 + top fin. + structure fin. £ 365
W. 140 cm		
	Standard legs - "I" shaped	1 481 372 + top fin. + structure fin. £ 328
	Standard legs - "L" shaped	1 481 390 + top fin. + structure fin. £ 328
	Adjustable legs - "I" shaped	1 481 408 + top fin. + structure fin. £ 378
	Adjustable legs - "L" shaped	1 481 426 + top fin. + structure fin. £ 378
W. 160 cm		
	Standard legs - "I" shaped	1 481 375 + top fin. + structure fin. £ 349
	Standard legs - "L" shaped	1 481 393 + top fin. + structure fin. £ 349
	Adjustable legs - "I" shaped	1 481 411 + top fin. + structure fin. £ 394
	Adjustable legs - "L" shaped	1 481 429 + top fin. + structure fin. £ 394
W. 180 cm		
	Standard legs - "I" shaped	1 481 378 + top fin. + structure fin. £ 369
	Standard legs - "L" shaped	1 481 396 + top fin. + structure fin. £ 369
	Adjustable legs - "I" shaped	1 481 414 + top fin. + structure fin. £ 411
	Adjustable legs - "L" shaped	1 481 432 + top fin. + structure fin. £ 411
Desk, W. 200 x D. 100 cm. Optional extras: ⑥ ⑨ ⑪ ⑫ ⑬ ⑮ ⑯ ⑰ ⑱		
	Standard legs - "I" shaped	1 481 382 + top fin. + structure fin. £ 411
	Standard legs - "L" shaped	1 481 400 + top fin. + structure fin. £ 411

description	code	price ex. VAT
-------------	------	---------------

### 90° link unit - two 80 cm sides

Curved 90° link unit. Optional extras: ⑧ ⑮ ⑯ ⑰ ⑱



1 481 360 + top finish £ 116

### Extension units - Meeting tables

3/4 circular extension unit



2 standard legs 1 481 229 + top fin. + structure fin. £ 170

2 adjustable legs 1 481 231 + top fin. + structure fin. £ 195

Desk end extension unit



2 standard legs 1 481 228 + top fin. + structure fin. £ 162

2 adjustable legs 1 481 230 + top fin. + structure fin. £ 187

1/2 moon extension units, W. 165 cm

Depth 60 cm

1 standard leg 1 481 361 + top fin. + structure fin. £ 141

1 adjustable leg 1 481 363 + top fin. + structure fin. £ 162



Depth 82.5 cm

2 standard legs 1 481 362 + top fin. + structure fin. £ 162

2 adjustable legs 1 481 364 + top fin. + structure fin. £ 220

Circular tables



∅ 100 cm. Pure central support leg 1 481 444 + top fin. + structure fin. £ 344

∅ 120 cm. Pure central support leg 1 481 446 + top fin. + structure fin. £ 369

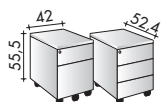
Barrel table, 220 x 110 cm



2 Pure support legs (fixed height) 1 481 441 + top fin. + structure fin. £ 652

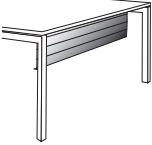
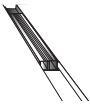
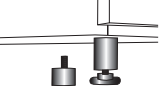
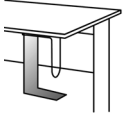
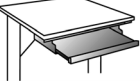

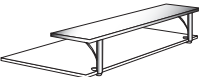
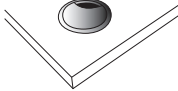

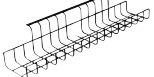
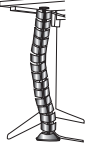

### Metal mobile pedestals

Metal pedestals in an aluminium (SA) or white (SO) finish. Pen tray in the top drawer. Optional extras: ⑲



1 box drawer + 1 filing drawer 1 481 449 + fin. £ 216

3 box drawers 1 481 450 + fin. £ 216

description	code	price ex. VAT
<b>Optional extras</b>		
Grooved modesty panels in an aluminium (SA) or white (SO) finish. For attachment to the underside of the desktop.		
	① for desk W. 80 cm and 90° link unit	1 481 457 + fin. £ 42
	② for desk W. 120 cm	1 481 458 + fin. £ 46
	③ for desk W. 140 cm	1 481 459 + fin. £ 50
	④ for desk W. 160 cm	1 481 460 + fin. £ 54
	⑤ for desk W. 180 cm	1 481 461 + fin. £ 58
	⑥ for desk W. 200 cm	1 481 462 + fin. £ 62
	⑦ for 120° desk - set of 2	1 481 452 + fin. £ 91
<hr/> ⑧ Modular cable holders. For desks with straight edges only. Designed to fit between 2 or more face-to-face desks. Made from graphite grey PVC, cable holders come in sections 40 cm in length and can be added to or cut to size as required. The 2 compartments are accessed by simply removing the upper cover.		
	Sold in sets of 2:	6 478 004 OK £ 14
<hr/> ⑨ Set of 8 spacers. Designed to raise the height of desk height pedestals, integra pedestals and 80 cm wide tambour cupboards by 20 or 40 mm.		
		1 603 004 £ 41
<hr/> ⑩ Suspended CPU holder. For screw attachment to the underside of the desktop. Adjustable in height and width to ensure that the CPU is held firmly in place. Aluminium (SA) finish.		
		6 443 001 SA £ 95
<hr/> ⑪ Keyboard shelf. W x D cm: 58.5 x 33.5. Adjustable in height from 7 to 10.5 cm. Aluminium (SA) finish.		
		6 505 001 SA £ 131
<hr/> ⑫ Flat screen monitor arm. Adjustable in height from 5.5 to 37.5 cm. 3 point articulation. Clamp attachment to the desktop. Aluminium (SB) finish. Other models are available, see p. 74 to 76.		
		6 445 032 SB £ 237
<hr/> ⑬ Desktop shelves. Depth: 35 cm. Usable height: 21 cm. Brackets in an aluminium (SA) finish, shelves in RA, RB, RC or RD.		
	W.80 cm	1 481 488 + shelf finish + SA £ 137
	W.120 cm	1 481 489 + shelf finish + SA £ 149
	W.160 cm	1 481 490 + shelf finish + SA £ 162
<hr/> ⑭ Cable port, ø 80 mm, for desktops. Aluminium (Oi) finish. Price of installation package on request.		
		6 478 009 Oi £ 4
<hr/> ⑮ Horizontal cable management. In the form of 3 dual compartment articulated plastic cable troughs. Aluminium (Oi) finish.		
		6 478 002 Oi £ 37
<hr/> ⑯ Horizontal cable management. In the form of a wire basket, W. 49 x D. 10 x H. 5 cm. Attached by wood screws to the underside of the desktop. Aluminium (SB) finish.		
		6 478 073 SB £ 29
<hr/> ⑰ Vertical cable management. In the form of a dual channel articulated vertebral cable holder. Made from plastic, ø 6.4 cm, in an aluminium (Oi) or white (OG) finish.		
		6 478 001 + fin. £ 44
<hr/> ⑱ Decorative tops for metal mobile pedestals, D. 52.5 cm. 7 choices of finish: RA, RB, RC, RD RE, RF or RG.		
		1 481 487 + finish £ 32